

Install hollow columns after the concrete pour, eliminating the need to determine the column's exact location during layout. Uplift loads are achieved with a concealed connection using Simpson's Epoxy-Tie™ anchoring system.

INSTALLATION No. 1:

- Mark slab for center location of column.
- Drill hole to the specified diameter and depth. See Table 1.
- Clean hole and add Simpson Epoxy-Tie. See Figures 1 through 6 below.
- Insert the required A307 thread rod at the specified embedment depth and allow epoxy to cure.
- Drop an appropriate length of A307 thread rod down the hollow column.
- Tighten both anchor and rod into coupler and set the column in place.
- Install beam and connect as listed in the table.
- Consult an Engineer of Record for approval to drill through the beam.

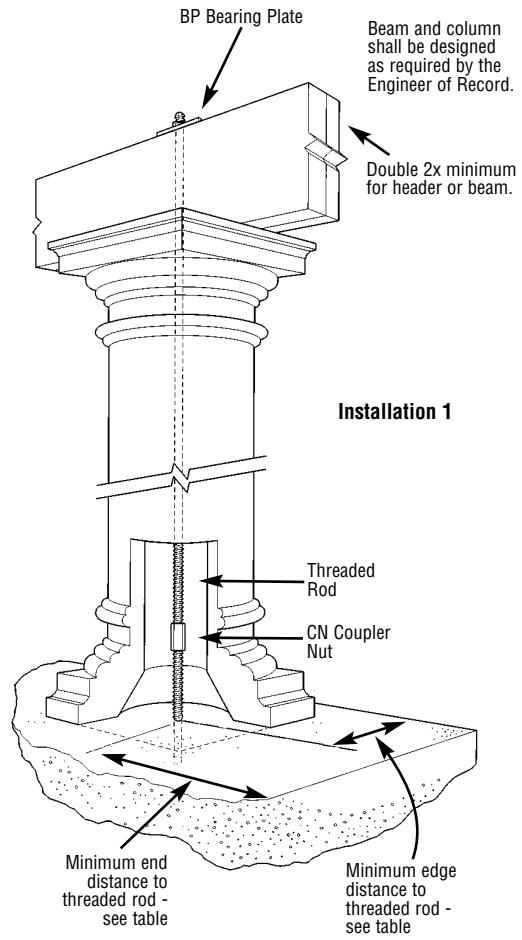
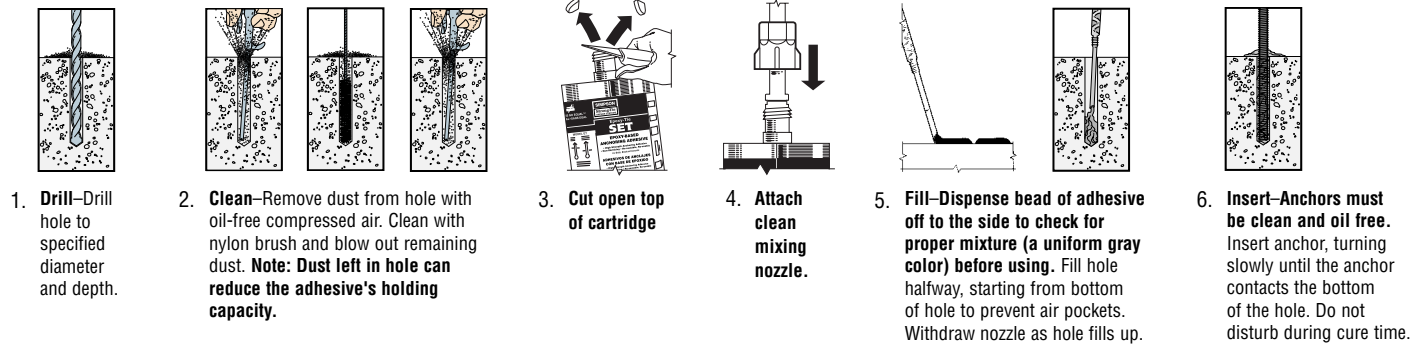


TABLE 1 — Allowable Uplift Loads

| Anchor Dia. | Anchor Drill Bit Dia. | Min. Embed. | Min. Anchor Length | Min. End. Dist. | Min. Edge Dist. | ET22 Allowable Tension Loads $F_c=2000\text{psi}^{1,2}$ | | Beam Connection Model No. | Allowable Tension Loads ^{1,2} | |
|-------------|-----------------------|-------------|--------------------|-----------------|-----------------|--|--------|---------------------------|--|--------|
| | | | | | | (100%) | (133%) | | (100%) | (133%) |
| 1/2 | 5/8 | 4 1/4 | 6 1/4 | 6 3/8 | 3 1/2 | 2650 | 3535 | BP 1/2 | 2345 | 2345 |
| 5/8 | 3/4 | 12 | 14 | 5 | 1 3/4 | 4040 | 5385 | BP 5/8 | 3675 | 3675 |
| 3/4 | 7/8 | 6 3/4 | 8 3/4 | 10 1/8 | 5 | 6115 | 8155 | BP 3/4 | 4400 | 4400 |
| 3/4 | 7/8 | 6 3/4 | 8 3/4 | 10 1/8 | 2 1/2 | 4785 | 6385 | BP 3/4 | 4400 | 4400 |
| 7/8 | 1 | 7 3/4 | 9 3/4 | 11 5/8 | 6 | 7850 | 10465 | BP 7/8 | 5195 | 5195 |
| 7/8 | 1 | 15 1/2 | 17 1/2 | 5 | 1 3/4 | 5835 | 7780 | BP 7/8 | 5195 | 5195 |
| 1 | 1 1/8 | 9 | 11 | 13 1/2 | 6 | 8050 | 10730 | BP1 | 7100 | 7100 |
| 1 | 1 1/8 | 9 | 11 | 13 1/2 | 3 1/2 | 6805 | 9075 | BP1 | 6805 | 7100 |

1. Allowable loads for bond strength are based on a factor of safety of four on the average ultimate load.
2. Allowable loads at 133% have been increased for wind and earthquake loading with no further increase allowed.
3. For two pour condition with a maximum top pour thickness of 4", increase anchor length and embedment depth 4".
4. Coupler nut to meet same load specifications as threaded rod being connected.
5. Loads are based on grade A 307/SAE1018 thread rod.
6. BP loads are based on F_{c1} equal to 625 psi. Allowable loads for other species must be adjusted to code.
7. See Optional Installation.

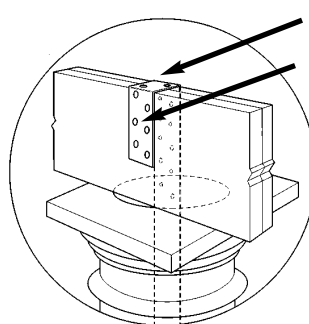
Installation into Concrete and Grout Filled CMU



Installation 2 requires a base anchor and Simpson's CMST strap. A concealed connection can be designed between foundation and beam. The minimum inside diameter of the hollow column must be 3/4" for the CMST strap and a minimum base opening diameter of approximately 7" is required for the LTT/HTT or HDA base anchors. Consult the column manufacturer for minimum column opening diameters.

INSTALLATION No. 2:

- Select the appropriate strap and base anchor for the required uplift load from the table.
- Install base anchor:
 - a. Mark slab for center location of column.
 - b. Drill hole to the specified diameter and depth. See Table 2.
 - c. Clean hole and add Simpson's Epoxy-Tie. See Figures 1 through 6 on page 1.
 - d. Insert the required A307 threaded rod at the specified embedment depth.
 - e. Allow epoxy to cure.
- Attach base anchor to threaded rod and tighten nut after Epoxy-Tie has cured.
- Cut length of strap as required. Add an additional 1 1/2" for "end distance".
- Overlap CMST strap with strap of base anchor:
 - a. Mark a 1 1/2" distance from the end of the CMST strap. This is your end distance clearance. From the end distance, mark strap to match the location of base anchor stud bolts.
 - b. Drill strap bolt holes size and quantity as shown in Table 2.
 - c. Attach strap to base anchor with the required size and quantity of machine bolts (A307 bolts minimum).
- Set column in place and pull strap taut. While strap is held taut, fasten strap to beam with fasteners shown in table.



Top fasteners
Install half of total face fasteners on each side of the beam.

Typical CMST Installation to Beam
Length of strap **must** wrap over header and extend down opposite side a minimum 7".

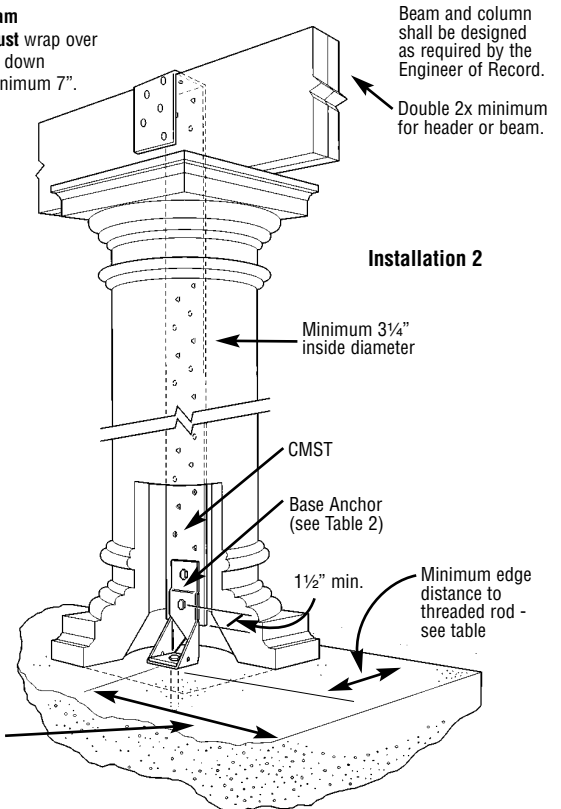


TABLE 2 — Allowable Uplift Loads

| Base Anchor Model No. | Base Anchor Dia. | Anchor Drill Bit Dia | Min. Embed. | Min. Anchor Length | Min. End Dist. | Min. Edge Dist. | Strap Model No. | Strap Bolts | | Drill Bit Dia. (Strap) | Fasteners | | Uplift | |
|-----------------------|------------------|----------------------|-------------|--------------------|----------------|-----------------|-----------------|-------------|------|------------------------|--------------|-------|--------|-------------|
| | | | | | | | | Qty | Dia. | | Face (Total) | Top | 100 | (133 & 160) |
| LTT20B | 3/4 | 7/8 | 6 3/4 | 8 3/4 | 10 1/8 | 5 | CMST14 | 2 | 1/2 | 9/16 | 4-10d | 2-10d | 1750 | 1750 |
| MTT28B | 3/4 | 7/8 | 6 3/4 | 8 3/4 | 10 1/8 | 5 | CMST14 | 4 | 1/2 | 9/16 | 8-10d | 2-10d | 3630 | 4455 |
| HD2A | 5/8 | 3/4 | 5 | 7 | 7 1/2 | 4 | CMST14 | 2 | 5/8 | 1 1/16 | 4-10d | 2-10d | 2775 | 2775 |
| HD5A | 5/8 or 3/4 | 7/8 | 6 3/4 | 8 3/4 | 10 1/8 | 4 | CMST14 | 2 | 3/4 | 13/16 | 8-10d | 2-10d | 3375 | 4010 |
| HD8A | 7/8 | 1 | 7 3/4 | 9 3/4 | 11 5/8 | 6 | CMST14 | 3 | 7/8 | 15/16 | 8-10d | 2-10d | 3430 | 4435 |
| HD8A | 7/8 | 1 | 7 3/4 | 9 3/4 | 11 5/8 | 6 | CMST12 | 3 | 7/8 | 15/16 | 10-10d | 2-10d | 4865 | 6305 |
| HD10A | 7/8 | 1 | 7 3/4 | 9 3/4 | 11 5/8 | 6 | CMST12 | 4 | 7/8 | 15/16 | 10-10d | 2-10d | 4865 | 6305 |

1. See Simpson Anchoring Systems catalog for complete Epoxy-Tie installation details.
2. 10d nails are common nails.
3. Allowable loads have been increased for wind or earth quake loading with no further increase allowed.

This bulletin is effective until June 30, 2004, and reflects information available as of July 1, 2002. This information is updated periodically and should not be relied upon after June 30, 2004; contact Simpson for current information or see www.strongtie.com.

SIMPSON STRONG-TIE COMPANY, INC.

Home Office
4120 Dublin Blvd., Ste 400
Dublin, CA 94568
FAX: 925/833-1496

Northwest USA
1450 Doolittle Dr
San Leandro, CA 94577
FAX: 510/632-8925

Southwest USA
260 N. Palm St
Brea, CA 92821
FAX: 714/871-9167

Southeast USA
1720 Couch Dr
McKinney, TX 75069
FAX: 972/542-5379

Northeast USA
2600 International St
Columbus, OH 43228
FAX: 614/876-0636

Canada
5 Kenview Blvd.
Brampton, Ontario L6T5G5
FAX: 905/458-7274

Warehouses
Enfield, CT
Jacksonville, FL
Kent, WA
Langley, B.C.

U.S. Toll Free Number: 1-800-999-5099 / Canada Toll Free Number: 1-800-465-1515

www.strongtie.com

© Copyright 2002 Simpson Strong-Tie Co., Inc.

Form T-COLUMN02 7/02 exp 12/04

Printed in the USA